
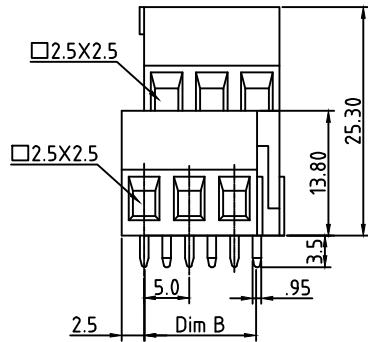
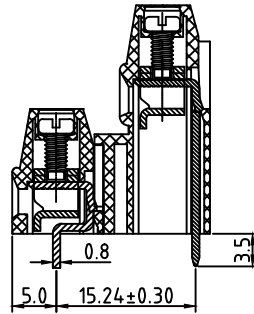
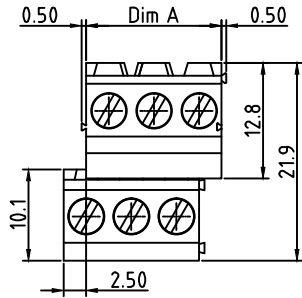


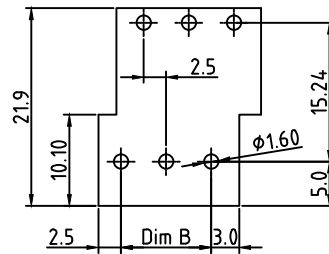
SPECIFICATIONS

- Current Rating: 20 Amps
- Withstanding Voltage: 1.6KV
- Voltage Rating: 300 VAC
- Operating Temperature: -40°C~+115°C
- Soldering Temperature: 250°C±10°C/5 seconds
- Wire Guard Solder Pin: Brass, Tin Plated
- Terminal Housing: Thermoplastic UL94V-0
- Terminal Screw: Steel Zinc Plating "-" slot type
- Clamp: Brass, Ni Plated
- Solid/Stranded Wire: 12-22
- Wire Strip Length: 6-7mm
- Torque: 3.5 Lb-In
- Screw Size: M2.5
- Safety Approval: us



N=Number of contacts

P.C.B LAYOUT



TBBO-xx JxEJ-FG

- 04 2x2 CONTACTS
- 06 2x3 CONTACTS

FG: RoHS Compliant
Pb<40000ppm

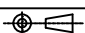
- J: Black(RAL9005)
- E: Green(RAL6018/T)
- F: Blue(RAL5015/A)
- H: Grey(RAL7035/D)

APTOS Technology CONFIDENTIAL
This document, and all information it contains, are the confidential, proprietary property of APTOS Technology. Disclosure, duplication or distribution of this document, or any information it contains, in whole or part, without prior written permission from APTOS Technology is strictly prohibited

Poles	2x2	2x3	2x4	2x5	2x6	2x7	2x8	x29	2x10	2x11	2x12	2x13
Dim A	10.00	15.00	20.00	25.00	30.00	35.00	40.00	45.00	50.00	55.00	60.00	65.00
Dim B	5.00	10.00	15.00	20.00	25.00	30.00	35.00	40.00	45.00	50.00	55.00	60.00
Tolerance	±0.20					±0.30					±0.35	
Poles	2x14	2x15	2x16	2x17	2x18	2x19	2x20	2x21	2x22	2x23	2x24	
Dim A	70.00	75.00	80.00	85.00	90.00	95.00	100.0	105.0	110.0	115.0	120.0	
Dim B	65.00	70.00	75.00	80.00	85.00	90.00	95.00	100.0	105.0	110.0	115.0	
Tolerance	±0.35					±0.40						

GENERAL TOLERANCE UNLESS OTHERWISE SPECIFIED		
xxx.	± X	.xx ± 0.10
xx.	± X	.xxx ± X
x.	± 0.50	x.' ± 1'
.x	± 0.30	.x' ± 1'



REV. A	DRAWN	12/10/08	TBBO Series 5.00mm Terminal - Dual Level Left Shift
DATE 07/07/2017	CHECKED		
SCALE As shown	APPROVED		PRODUCT NO. TBBO-XXJXEJ-FG
UNIT mm		SIZE A4	FILE NAME: TBBO-XXJXEJ-FG LF APD.DWG